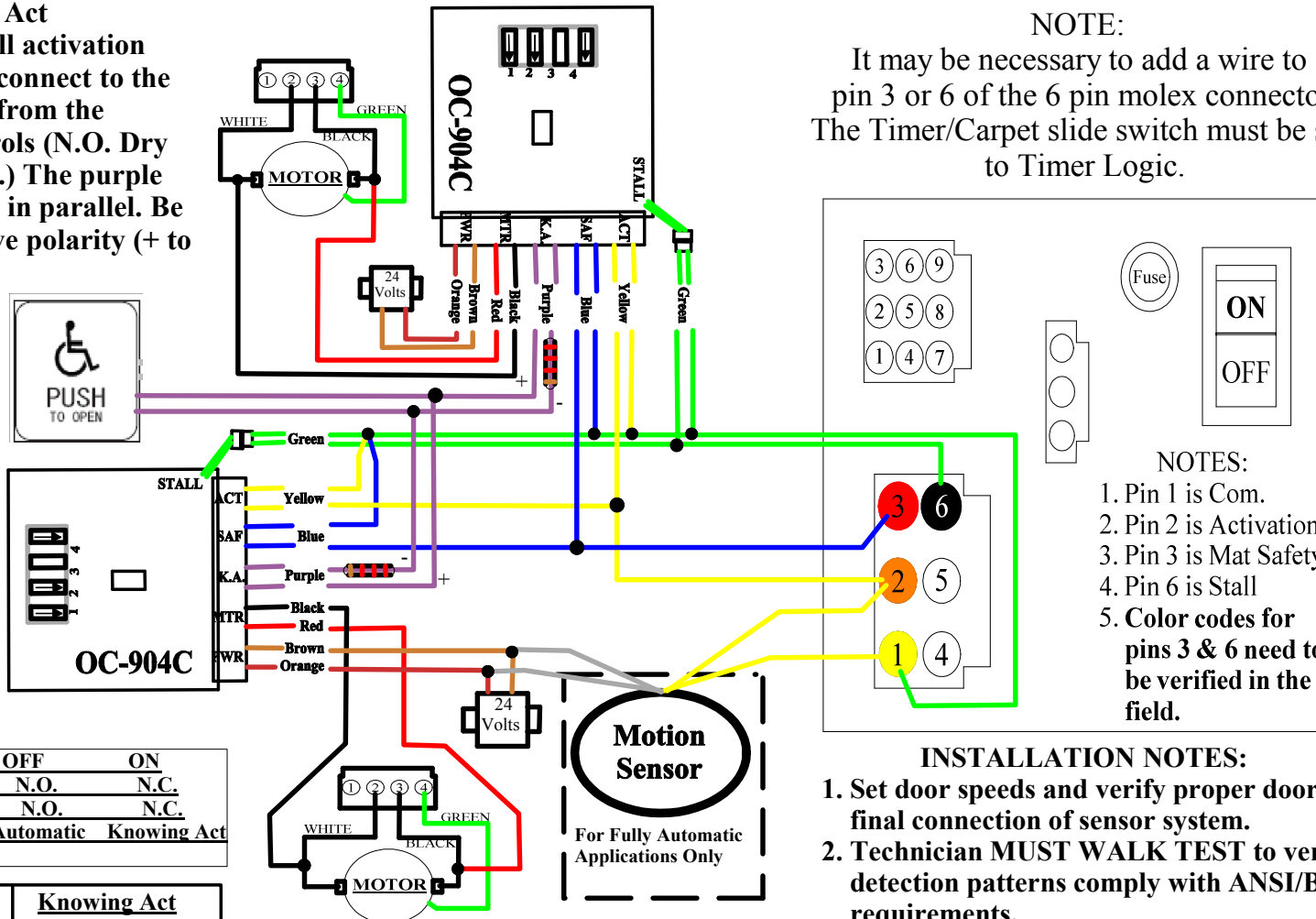


NOTE:

For Knowing Act Application all activation devices must connect to the Purple wires from the OC-904 controls (N.O. Dry Contact Only.) The purple wires connect in parallel. Be sure to observe polarity (+ to +, - to -.)

NOTE:

It may be necessary to add a wire to pin 3 or 6 of the 6 pin molex connector. The Timer/Carpet slide switch must be set to Timer Logic.



Dipswitch Settings	OFF	ON
1. Safety Output	N.O.	N.C.
2. Stall Output	N.O.	N.C.
3. Auto / K.A.	Automatic	Knowing Act
4. Future Use		

Fully Automatic	Knowing Act
1. OFF	1. OFF
2. OFF	2. OFF
3. OFF	3. ON
4. OFF	4. OFF

- NOTES:**
1. Pin 1 is Com.
 2. Pin 2 is Activation
 3. Pin 3 is Mat Safety
 4. Pin 6 is Stall
 5. Color codes for pins 3 & 6 need to be verified in the field.

INSTALLATION NOTES:

1. Set door speeds and verify proper door operation prior to final connection of sensor system.
2. Technician **MUST WALK TEST** to verify function and detection patterns comply with ANSI/BHMA A156.10 requirements.

Title: L Tan Shape Control Pair with Elite	Drawing #
Drawing By: RNG	Date: 6/23/08
Sheet: 1 of 1	
Optex Technologies Inc. 3882 Del Amo Blvd., Suite 604, Torrance, CA 90503 Office: (800)877-6656, Fax: (310)214-8655	