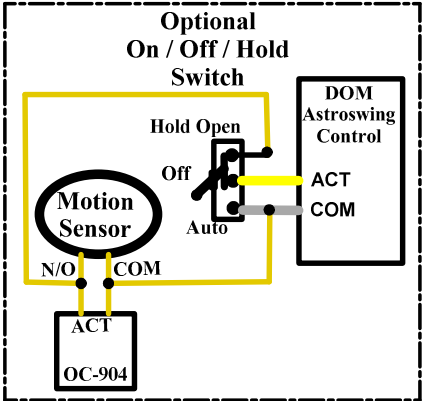


- INSTALLATION NOTES**
1. Set door speeds and verify proper door operation prior to final connections of sensors system.
 2. Technician MUST WALK TEST to verify function and detection patterns comply with ANSI/BHMA A156.10 requirements.

NOTE: Set FUNCTION selector to Supernova Slow or Supernova Stop (usually option 5 or 6).

12-24 VAC/VDC



NOTE:
For Knowing Act applications all activating devices must connect to the purple wires of the OC-904 controls (N.O. dry contact only). The purple wires connect in parallel. Be sure to Observe Polarity of the purple wires(+ to +, - to -).

Dipswitch Settings	OFF	ON
1. Safety Output	N.O.	N.C.
2. Stall Output	N.O.	N.C.
3. Auto/K.A. Function	Automatic	Knowing Act
4. Fully Automatic	1.OFF	1.OFF
	2.OFF	2.OFF
	3.OFF	3.ON
	4.OFF	4.OFF

Title: Doromatic Astrowing Simultaneous Pair with Elite		Drawing # 01DORASTELI02
Drawing By: JAS	Date: 03-19-08	Sheet: 1 of 1
Optex Technologies Inc. 3882 Del Amo Blvd., Suite 604, Torrance, CA 90503 Office: (800)877-6656, Fax: (310)214-8655		