

MANUFACTURER'S STATEMENT

5912222 AUG 2008

Read this Operation Manual carefully before use, to ensure proper operation of this Optex sensor. Failure to read this Operation Manual may cause improper sensor operation and may result in serious injury or death. This product is a non-contact activating switch intended for mounting on the header of an automatic door. Do not use it for any other applications; otherwise proper operation and safety cannot be guaranteed.

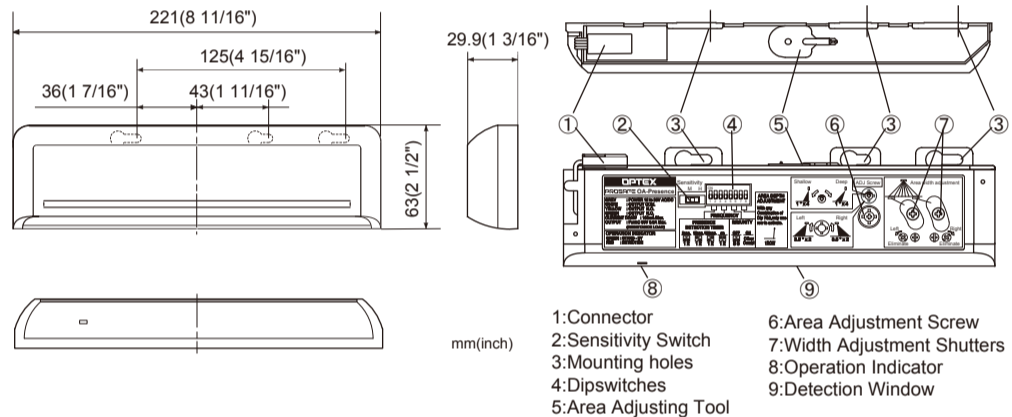
- Cautions:**
1. Follow the instructions (especially **Note**) in this Operation Manual when installing and adjusting the sensor.
 2. When setting the sensor's area pattern, make sure there is no traffic around the installation site.
 3. Before turning the power on, check the wiring to prevent damage or malfunction of equipment that is connected to the sensor.
 4. Do not wash, disassemble, rebuild or repair the sensor by yourself; otherwise it may cause electric shock or breakdown of the sensor.
 5. Only use the sensor as specified in the supplied instructions.
 6. Be sure to install the sensor in accordance with the local laws and standards of your country.
 7. Before leaving the jobsite, be sure that this sensor is operating properly and instruct the building owner/operator on proper operation of the door and this sensor.

SPECIFICATIONS

Model	: OA-Presence	Output	: "Form C" relay 50V 0.3A Max. (Resistance Load)
Cover color type	: Silver / Black / White	Relay Hold Time	: 0.5 sec.
Mounting Height	: 3.0m (9'10") Max.	Response Time	: <0.3 sec.
Detection Area	: See "Detection Area"	Operating Temperature	: -20°C to +55°C (-4°F to +131°F)
Detection Method	: Active Infrared Reflection Method	Weight	: 200g (7.1oz)
Depth Angle	: ±4° adjustable by 1° every one click	Accessories	: 1 Cable 3m (9'10") 2 Mounting Screws 1 Operation Manual 1 Mounting Template 1 Area Adjustment Tool
Adjustments	(Deep / Shallow)		
Detection Width	: ±7° adjustable by 3.5° every one click		
Adjustments	(Right / Left)		
Power supply	: 12 to 30V AC / DC		
Current Draw	: 160mA Max. (at 12V AC)		
Operation indicator	: Green / Stand-by Red / 1st Row Detection Active		

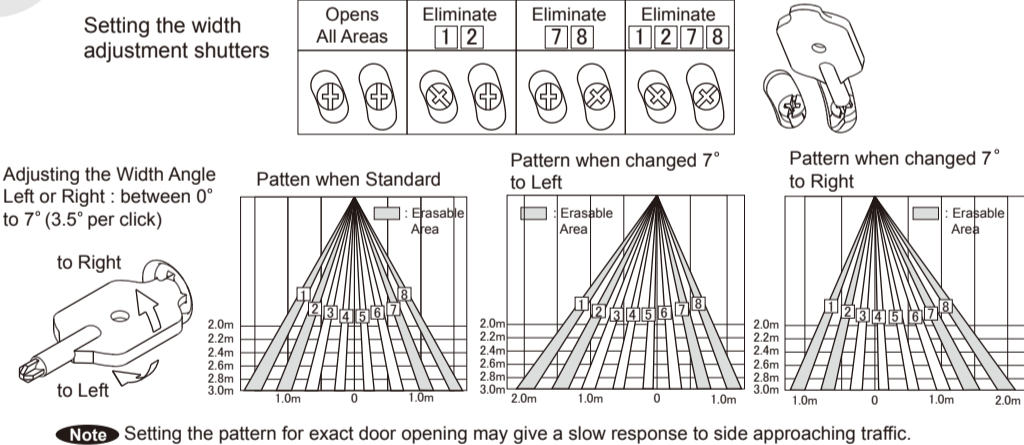
*The specifications herein are subject to change without prior notice due to improvements.

OUTER DIMENSIONS

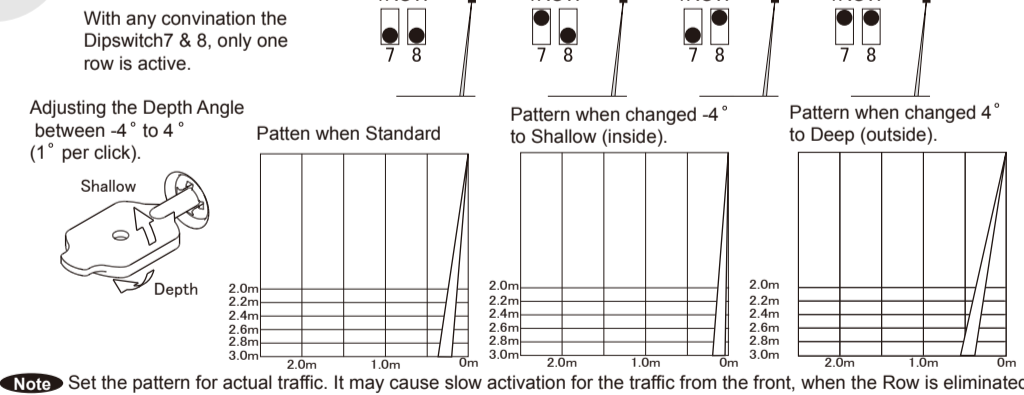


ADJUSTMENT

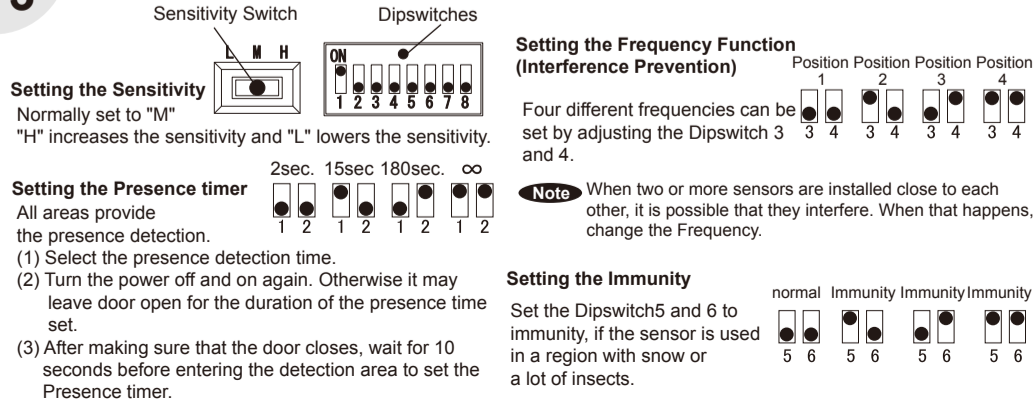
1 Adjusting the Pattern Width



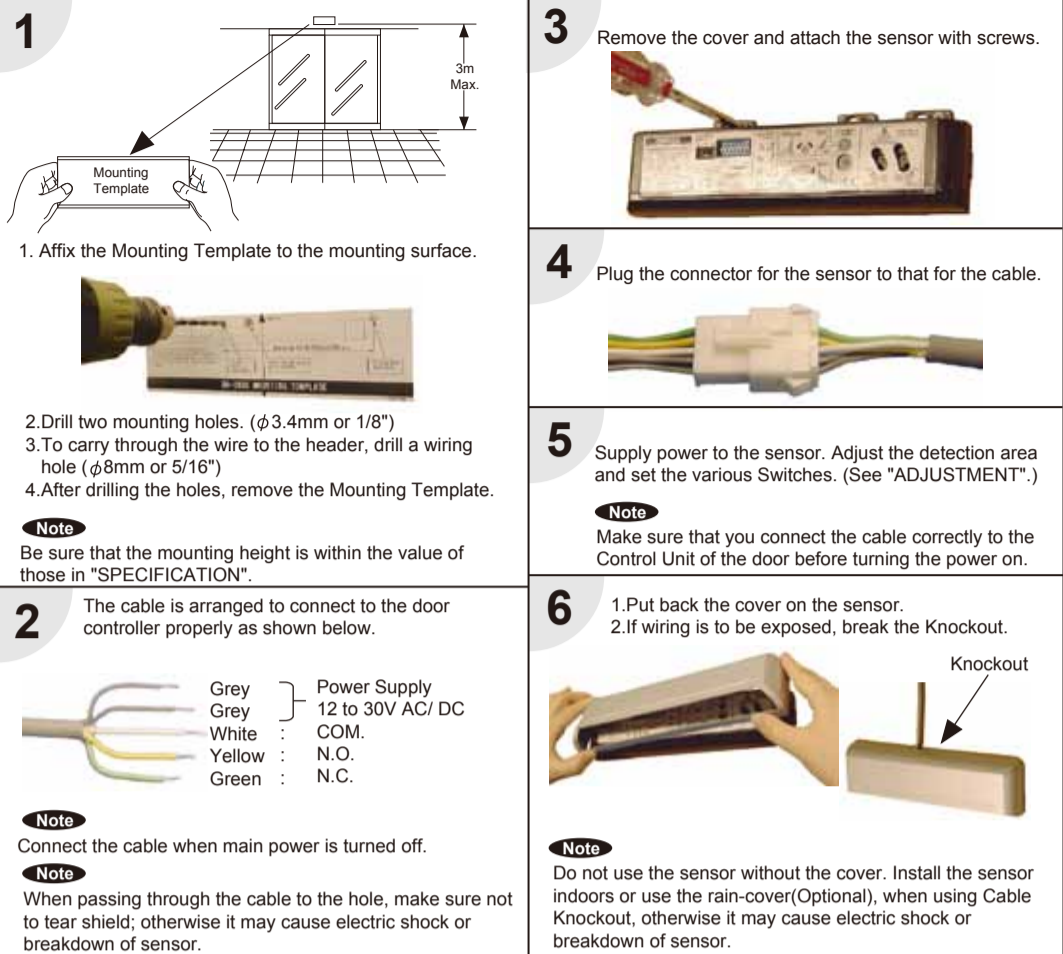
2 Adjusting the Pattern Depth



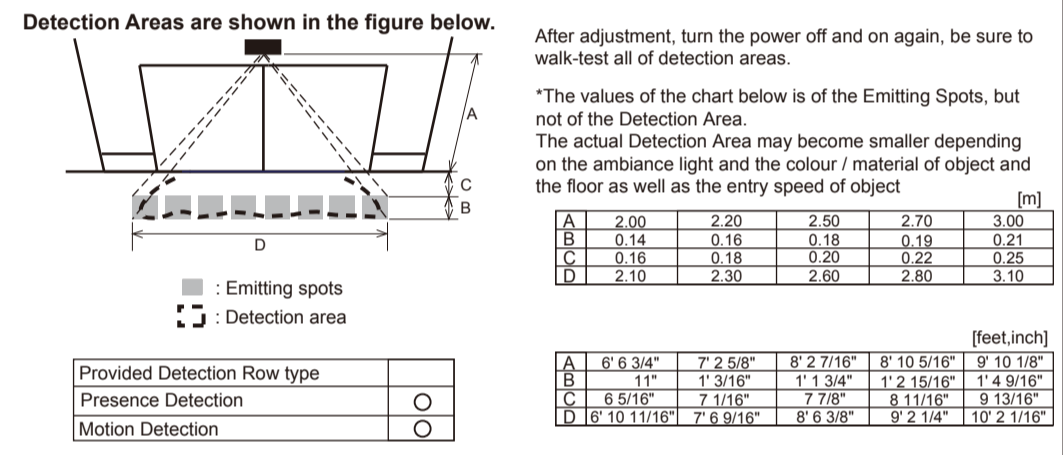
3 Setting of Sensitivity Switch and Dipswitches



INSTALLATION



DETECTION AREA



CHECKING

Check the operation according to the chart below

Entry motion (image)	Power OFF	Outside the Detection area	Entry into the Detection area	Outside the Detection area
Sensor status	Power OFF	Stand-by	Motion or Presence Detection Active	Stand-by
Operation Indicator	OFF	Green	Red	Green
Output	Yellow Green White	Yellow Green White	Yellow Green White	Yellow Green White

Note The door may open once after the power is switched on.

Inform the following items to the building owner/operator

1. When turning the power on, always walk-test the sensor pattern to ensure proper operation
2. Always keep the detection window clean. If dirty, wipe the window with a damp cloth. (Do not use any cleaner or solvent.)
3. Do not wash the sensor with water
4. Do not disassemble, rebuild or repair the sensor yourself; otherwise electric shock may occur.
5. Contact your installer or the sales engineer if you want to change the settings.
6. Do not place an object that moves or emits light in the detection area. (Ex. Plant, illumination, etc.)
7. Do not pain the Detection Window.

TROUBLESHOOTING

Trouble	Possible Cause	Solution
Does not operate	Power supply is not adequate. Connection Failure.	Adjust to stated voltage. Check the wiring and the connector.
Does not operate consistently	Dirty detection window. Sensitivity is Low.	Wipe the detection window with a damp cloth. (Do not use any cleaner or solvent.) Set the Sensitivity Switch "H".
Operates by itself (Ghosting)	There is an object that moves or emits light in the detection area. (Ex. plant, illumination, etc.)	Remove the object.
	Vibration of the header.	Secure the header. Or set the Sensitivity Switch "L".
	Sensitivity is high.	Set the Sensitivity Switch "L"
	Waterdrops on the detection window.	Install in a place keeping the waterdrops off. Or use a rain-cover (Optional).
	Detection area has interfered the area of another sensor.	Set the different frequency position each other.
	The Emitting spots are overlapping with the door / header.	Adjust the detection area to deep (outside).
There is an reflected object in the detection area. Solar light reflects.	Remove the object.	
There was a puddle left by rain or snow. The floor has gotten wet.	This sensor is equipped with the anti-malfunction. However, pay attention when installing as malfunction may occur under the left conditions.	
The exhaust of the car and the fog penetrate into the detection area.		
Door stays open or closed	Presence timer is infinity. There was an abrupt condition change in the detection area.	Turn the power off and on again.

Contact your installer or the sales engineer if:
 -you need to change the settings or replace the sensor.
 -the trouble still persists after checking and remedying as described above.

OPTEX CO.,LTD.
 5-8-12 Ogoto Otsu 520-0101, Japan
 TEL.: +81 (0)77-579-8700
 FAX.: +81 (0)77-579-7030
 WEBSITE: www.optex.co.jp

OPTEX Technologies Inc.
 3882 Del Amo Blvd., Suite 604
 Torrance, CA 90503 U.S.A.
 TEL.: +1 (310) 214-8644
 FAX.: +1 (310) 214-8655
 TOLL-FREE: 800-877-6656
 WEBSITE: www.optextechnologies.com

OPTEX Technologies B.V.
 Tiber 2, 2491 DH The Hague,
 The Netherlands
 TEL.: +31 (0)70-419-41-00
 FAX.: +31 (0)70-317-73-21
 E-MAIL: info@optex.nl
 WEBSITE: www.optex.nl