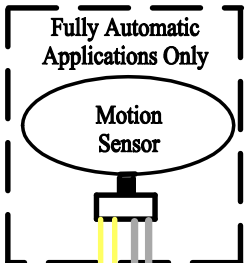
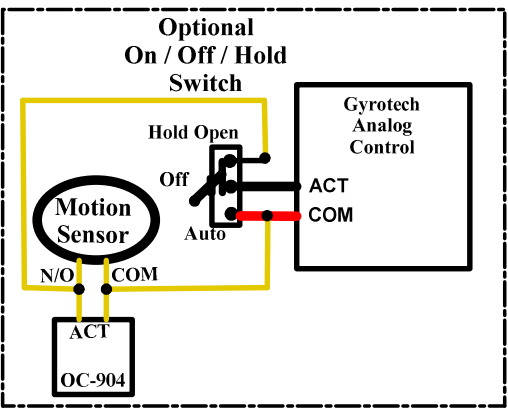
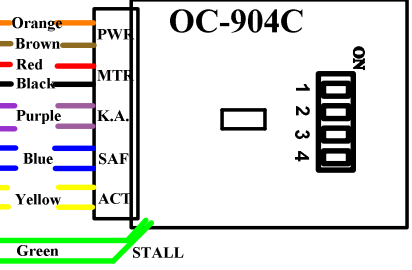


**NOTE:**  
Safety slide switch must be set to SWING safety.  
Swing logic on the Gyrotech analog control will slow the door only (not stop).  
When the door is fully closed and a person is detected in the swing area, upon activation the door will creep open.



**NOTE:**  
For Knowing Act applications all activating devices must connect to the purple wires of the OC-904. Dipswitch 3 of the OC-904 must be in the ON position.



Dipswitch Settings	OFF	ON
1. Safety Output	N. O.	N. C.
2. Stall Output	N. O.	N. C.
3. Auto/K. A.	Automatic	Knowing Act
4. Fullstop		

Fully Automatic	Knowing Act
1. OFF	1. OFF
2. OFF	2. OFF
3. OFF	3. ON
4. OFF	4. OFF

**INSTALLATION NOTES**

1. Set door speeds and verify proper door operation prior to final connections of sensors system.
2. Technician MUST WALK TEST to verify function and detection patterns comply with ANSI/BHMA A156.10 requirements.

<b>Title:</b> Doromatic Astrowswing Single w/ Elite		<b>Drawing #</b> 01DORASTELI01
<b>Drawing By:</b> JAS	<b>Date:</b> 03-20-08	<b>Sheet:</b> 1 of 1
<b>Optex Technologies Inc.</b> 3882 Del Amo Blvd., Suite 604, Torrance, CA 90503 Office: (800)877-6656, Fax: (310)214-8655		