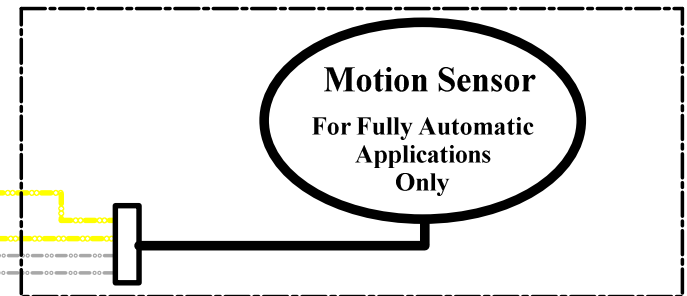
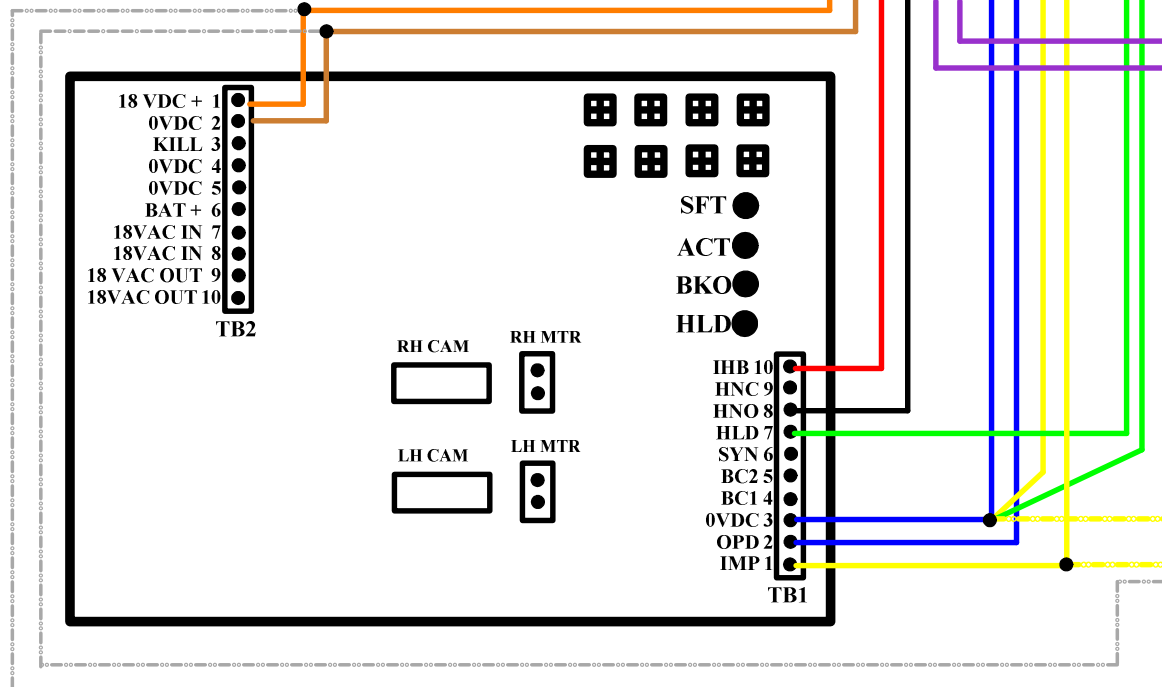
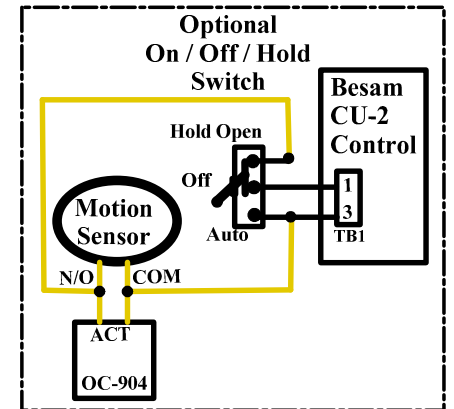
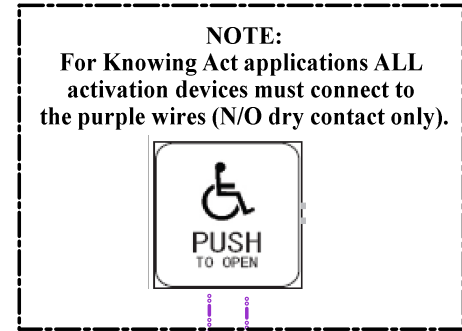
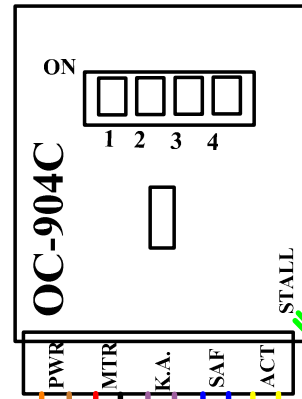


INSTALLATION NOTES

1. Set door speeds and verify proper door operation prior to final connection of sensors system.
2. Technician **MUST WALK TEST** to verify function and detection patterns comply with ANSI/BHMA A156.10 requirements.
3. On Knowing Act applications, push/pull activation must not be used.
4. When using two controls (Sim Pair, Double Egress) wire each control as shown and add sync lines between controls on TB1 pins 1,2, 3 and 7.

OC-904 Dipswitch Settings Chart		
Dipswitch Settings	OFF	ON
1. Safety Output	N.O.	N.C.
2. Stall Output	N.O.	N.C.
3. Auto / K.A.	Automatic	Knowing Act
4. Future Use		
Fully Automatic	Knowing Act	
1. OFF	1. OFF	
2. OFF	2. OFF	
3. OFF	3. ON	
4. OFF	4. OFF	



Title: Besam 900 Single with Elite	Drawing # 01BES900ELI01
Drawing By: JAS	Date: 09-05-08
Sheet: 1 of 1	
Optex Technologies Inc. 3882 Del Amo Blvd., Suite 604, Torrance, CA 90503 Office: (800)877-6656, Fax: (310)214-8655	